

Swirl diffusers



NS-5

Hygienic certificates:
HK/B/1121/02/2007



NS-5 are designed for application in the low- and medium-pressure ventilation systems.

They allow receiving the swirl air supply and they are particularly recommended for the rooms of 2,6 up to 4 m high and are used at the temperature difference of air supply and air in the room amounting max. 10 K. The diffusers are available with circular and square frontal panel

◀ Swirl diffuser NS-5

Swirl diffusers NS5

Execution

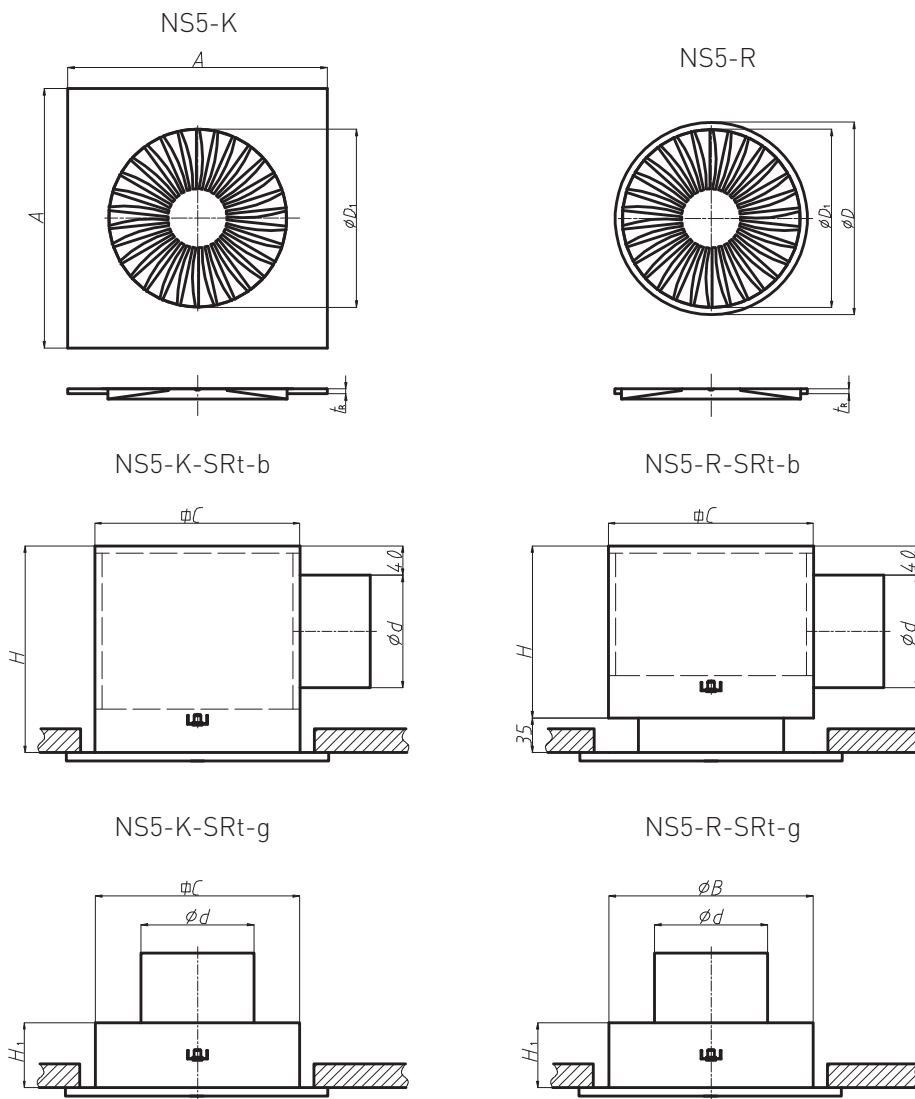
NS5 are equipped with stationary, radial-shaped vanes producing the swirl air flow. The diffuser frontal panel may be circular or square. As a standard, the diffusers NS5 are mounted together with the connecting element that is the plenum box SRt...b (recommended for air supply), or SR...g (recommended for air exhaust).

NS5 are made out of powder varnished steel in white colour RAL 9010. On order, it is possible to varnish them in other RAL colour. The diffusers may be used under exhaust function.

Assembly

NS5 can be mounted to the plenum box or assembling crossbar by means of one screw through the hole located in the central part of the diffuser. NS5 with the square panel can be also installed through direct embedding into the structure of the suspended ceiling.

Type of frontal panels



Type of frontal panels



Dimensions of frontal panels

Size	NS5-Q			NS5-R			D ₁	H	H ₁	d
	A	C	t _Q	D	B	t _R				
300	594	280	15	300	265	8	250	270	110	123
400	594	380	15	400	365	8	350	270	125	158
500	594	480	15	500	465	8	450	330	140	198
600	594	580	15	600	565	8	550	380	160	248

Range of applications

Size	300		400		500		600	
V _t [m ³ /h]	V _{min} [m ³ /h]	V _{max} [m ³ /h]	V _{min} [m ³ /h]	V _{max} [m ³ /h]	V _{min} [m ³ /h]	V _{max} [m ³ /h]	V _{min} [m ³ /h]	V _{max} [m ³ /h]
		100	350	250	520	250	650	350
L ₀₂ [m]	1,5	4,0	2,5	4,5	1,8	4,5	2,5	5,5
L _{WA} [dB _(A)]	↓25	50	↓25	45	↓25	45	↓25	45

Designations:

V_t [m³/h] total air flow

L₀₂ [m] stream range for the speed 0,2 m/s

L_{WA} [dB_(A)] acoustic power level

Accessories and how to order NS5



While making the order, it is necessary to provide the information according to the below-mentioned method:

NS5 - <C>- <W> - SL<RAL> / <ADD>

Where:

- <C> - frontal panel
R = circular
K = square
- <W> - size: 300; 400; 500; 600
- <RAL> - colour according to RAL palette *
- <ADD> - here you should determine the additional accessories as below:

Accessories **

<SR><I>-<P>-<H>-<K><D><R> - plenum box according to the configuration as below:

- <I> - insulation:
none = no insulation
t = insulated
- <P> - screen deflector: *
none = without deflector (for exhaust by default)
s = with deflector (for supply diffuser by default)
- <H> - box height in mm *
- <K> - position of connector pipe:
b = lateral
g = upper
- <D> - connector pipe diameter in mm *
- <R> - damper in the connector pipe:
none = no damper
P = damper with perforated barrier with regulation from outside the box
Pc = damper with regulation from inside the box with tendon
Pd = damper with regulation from inside the box with lever

* optional values, when they are not given, the default values shall apply

Example of the order:

NS5-R-500/SRt