

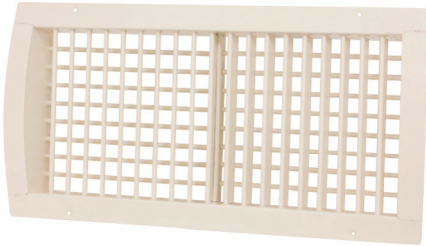


Air grilles
with mobile vanes

STR-E

Hygienic certificates:
HK/B/1121/02/2007
HK/B/1121/04/2007

Air grilles STR-E are designed for using in the low- and medium pressure ventilation systems equipped with the round ventilation ducts. The wide range of options as for the execution of grilles enables to direct optimally the supply air stream or their usage as the exhaust element.



◀ **STRSW-E Grilles**

with double row of vertical wheels.
The first row of wheels is vertical.
The wheels arranged individually



◀ **STRS-E Grilles**

with single row of vertical wheels.
The wheels arranged individually.

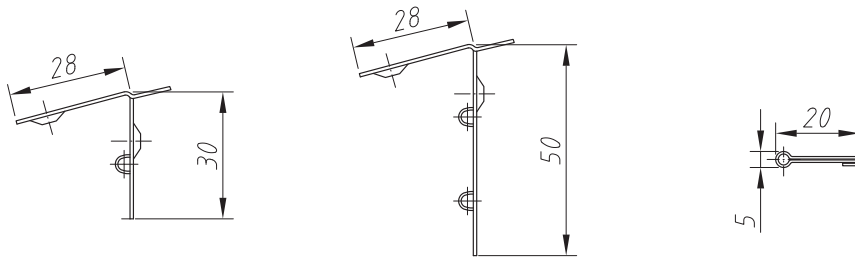
Air grilles STR-E



Material

In the standard version, the grille frame and the mobile wheels are made out of galvanised steel. On order, it is possible to varnish the galvanised steel frame and the aluminium wheels into the colour of RAL palette

Frame and vane construction

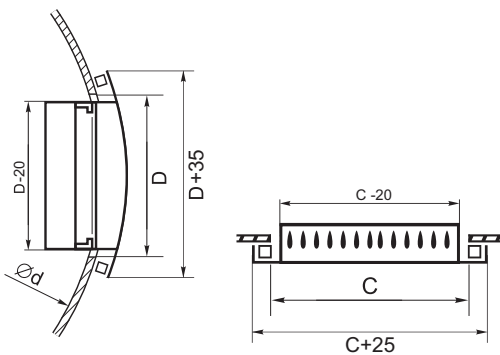


Selection of D grille height for $\varnothing d$ of ducts

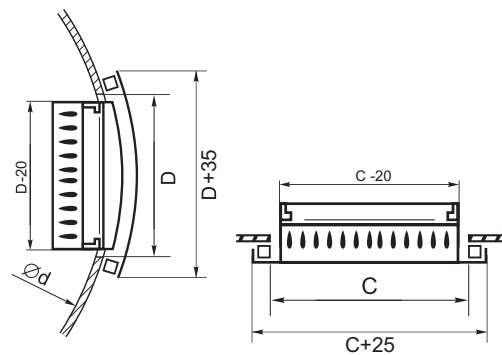
D [mm]	$\varnothing d$ [mm]	
	min	max
75	160	400
100	160	400
125	315	800
200	315	800
225	500	1000

Dimensions

STRS



STRSW



Dimensions, active surface, grille weight STR-E



The standard dimensions of the grilles are given below.

C	D	STRS-E	STRSW-E	STRS-E	STRSW-E
		A _{eff}	A _{eff}	Mass	Mass
[mm]	[mm]	m ²	m ²	kg	kg
225	75	0,01	0,008	0,28	0,42
325	75	0,014	0,012	0,39	0,59
425	75	0,019	0,016	0,51	0,76
525	75	0,024	0,019	0,62	0,93
625	75	0,029	0,023	0,73	1,11
825	75	0,038	0,031	0,95	1,46
1025	75	0,048	0,039	1,17	1,8
1225	75	0,057	0,046	1,4	2,14
200	100	0,012	0,009	0,33	0,53
300	100	0,018	0,015	0,45	0,75
400	100	0,025	0,02	0,56	0,99
500	100	0,031	0,025	0,73	1,22
600	100	0,038	0,03	0,86	1,48
800	100	0,051	0,041	1,13	1,95
1000	100	0,064	0,051	1,41	2,47
1200	100	0,076	0,062	1,69	2,91
225	125	0,018	0,014	0,4	0,66
325	125	0,026	0,021	0,56	0,93
425	125	0,035	0,028	0,72	1,2
525	125	0,043	0,035	0,87	1,48
625	125	0,052	0,042	1,03	1,77
825	125	0,069	0,056	1,34	2,31
1025	125	0,086	0,07	1,65	2,85
1225	125	0,104	0,084	1,97	3,39
200	200	0,026	0,021	0,57	0,98
300	200	0,041	0,033	0,75	1,32
400	200	0,055	0,045	0,98	1,75
500	200	0,07	0,057	1,21	2,18
600	200	0,085	0,068	1,44	2,65
800	200	0,114	0,092	1,90	3,50
1000	200	0,143	0,116	2,37	4,37
1200	200	0,172	0,139	2,84	5,22
225	225	0,034	0,028	0,66	1,14
325	225	0,051	0,041	0,91	1,59
425	225	0,068	0,055	1,16	2,04
525	225	0,084	0,068	1,4	2,5
625	225	0,101	0,082	1,65	2,98
825	225	0,134	0,109	2,14	3,9
1025	225	0,168	0,136	2,63	4,8
1225	225	0,201	0,163	3,13	5,69

Where:

C - width of the assembly hole in mm

D - height of the assembly hole in mm

A_{eff} - active surface in m²

Mass - grille weight in kg

Selection of STR-E

Nomograms presenting the hydraulic and acoustic characteristics of the grilles are on page 369.

Accessories and how to order STR-E

While making the order, it is necessary to provide the information according to the below-mentioned method:

<GRILLE TYPE> - <C>x<D> - <P><RAL> / <ADD>

Where:

<GRILLE TYPE>- STRS-E, STRSW-E

<C> - width of assembly hole in mm

<D> - height of assembly hole in mm

<P> - finishing: *

SO – galvanised steel

SL – varnished steel

<RAL> - colour according to the RAL palette

<ADD> - here you should determine the additional accessories as below:

Accessories **

<GS> - concurrent damper made out of the galvanised steel

* optional values, when they are not given, the default values shall apply

Example of the order:

STRSW-E – 525x225 – SL9010 / GS